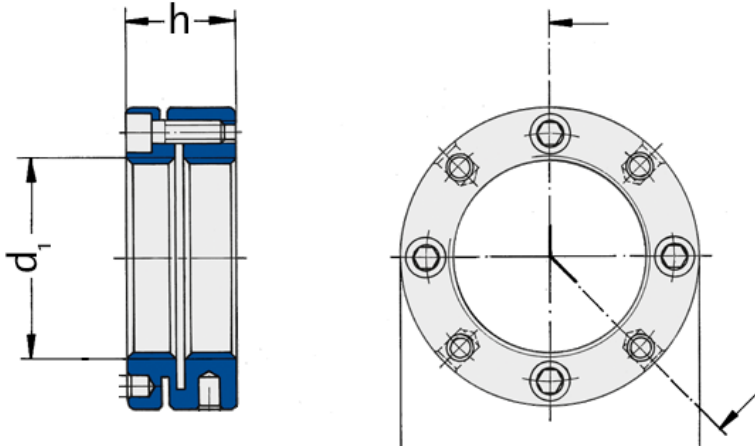


Request Locknuts

Information marked with an asterisk (*) are mandatory for a qualified product design and a quotation.

1. Geometry and performance data



1. Thread

Diameter*	d_1	[mm]
Thread pitch*	-	[mm]

2. Performance requirements

Max. axial load*	F_{ax}	[kN]
Breakaway torque	M	[Nm]
Max. rpm	n_{max}	[1/min]

3. Installation space

Max. outer diameter*	d_{2max}	[mm]
Max. height*	h_{max}	[mm]

2. Material and surface requirements

1. Raw material

Material	Steel (default)	Stainless steel
	other (please specify)	

2. Ambient conditions

Temperature > 100°C	No (default)	Yes
---------------------	--------------	-----

3. Coating

Coating	black oxide (default)	blank	corrosion protection
---------	-----------------------	-------	----------------------

3. Commercial questions

Application*

Quantity* [pieces]

Demand* annual demand one-time

Number of prototypes needed [pieces]

Required delivery date [DD-MM-YYYY]

4. Connecting components/assembly

1. Connecting components – Thread

6g (default) fine: 4h other

2. Required tool access (Locknut standard: axial and radial boreholes)

both (default) axial only radial only other

5. Contact information

Contact Person*

Company Name*

Country

Industry/Main Branch

E-Mail*

Telephone

6. Remarks/additional information